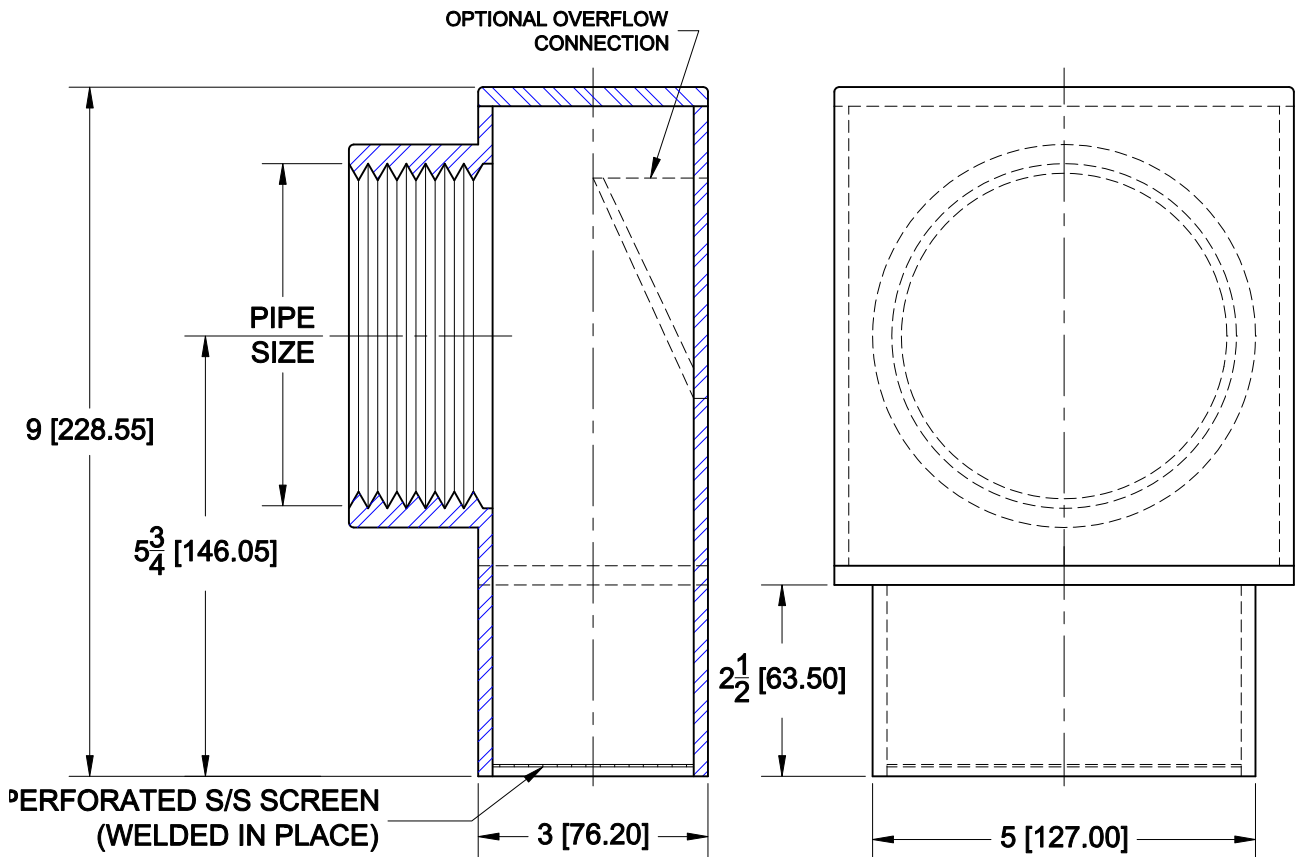
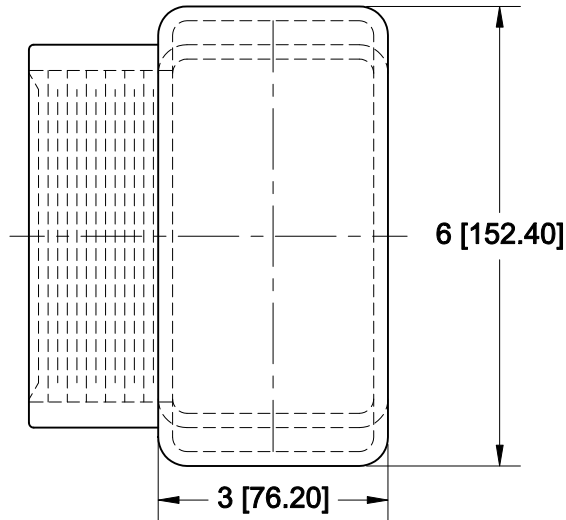


# DOWNSPOUT ELBOW



3940-DE-166

PAINTED FABRICATED STEEL 5x3 RECTANGULAR DOWNSPOUT ELBOW WITH IPS THREADED INLET AND PERFORATED RODENT SCREEN ON RECTANGULAR INLET.



### OPTIONS

Cat. No.	Pipe Size	Wt. Lbs.	Suffix	Description
<input type="checkbox"/> 3942-DE-166	2 (50)	18.0	<input type="checkbox"/> 37	OVERFLOW CONNECTION
<input type="checkbox"/> 3943-DE-166	3 (75)	19.0	<input type="checkbox"/> 39	ALL GALVANIZED
<input type="checkbox"/> 3944-DE-166	4 (100)	20.0		

AutoCad.dwg